

TEL : 0091- 217 - 2310824  
: 0091- 217 - 2451500  
FAX : 0091- 217 - 2451521  
E-MAIL : info@balajiamines.com  
WEBSITE : http://www.balajiamines.com

*Balaji*



ISO 9001:2008

www.tuv.com  
ID 9105038797

CIN : L24132MH1988PLC049387

**AMINES LIMITED**

REGD. OFF. : 'BALAJI TOWERS'  
No. 9/1A /1, HOTGI ROAD,  
AASARA CHOWK,  
SOLAPUR - 413 224. (INDIA)

Dated: 11<sup>th</sup> May 2015

To

The Secretary  
Listing Department  
The Bombay Stock Exchange Limited  
Phiroze Jeejeebhoy Towers,  
Dalal Street,  
**MUMBAI - 400 051.**

Dear Sir,

**SUB:- Notice of Board Meeting - Reg.**  
**REF:- SCRIP CODE : 530999**

Please take note that a Meeting of the Board of Director of the Company, has been convened to be held on Wednesday, the 20<sup>th</sup> May, 2015 at the Hyderabad Office of the company at 3<sup>rd</sup> floor, KPR house, S.P. Road, Secunderabad - 500 003 inter-alia, To consider and take on record the audited financial results of the company for the year and quarter ended 31<sup>st</sup> March, 2015. And to consider and declare dividend if any for the FY 2014-15.

This is for your information and records.

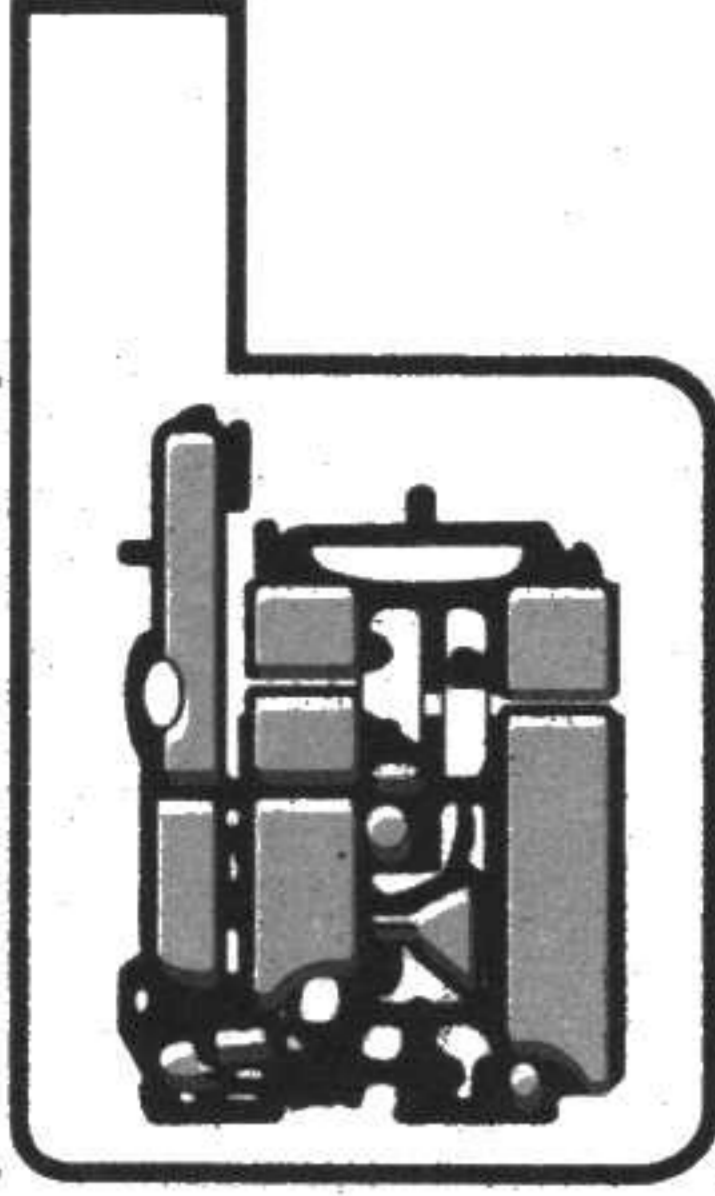
Thanking you,

**Yours faithfully,**  
**For BALAJI AMINES LIMITED**

*Arati S. Dudhawale*

**ARATI S. DUDHAWALE**  
**COMPANY SECRETARY**





TEL : 0091- 217 - 2310824  
: 0091- 217 - 2451500  
FAX : 0091- 217 - 2451521  
E-MAIL : info@balajiamines.com  
WEBSITE : http://www.balajiamines.com

*Balaji*



CIN : L24132MH1988PLC049387

## AMINES LIMITED

REGD. OFF. : 'BALAJI TOWERS'  
No. 9/1A /1, HOTGI ROAD,  
AASARA CHOWK,  
SOLAPUR - 413 224. (INDIA)

Dated: 11<sup>th</sup> May 2015

To

The Secretary  
Listing Department  
National Stock Exchange India Limited  
Exchange Plaza, C-1, Block-G  
Bandra-Kurla Complex,  
Bandra (e)  
**MUMBAI - 400 051.**

Dear Sir,

**SUB:- Notice of Board Meeting - Reg.**  
**REF:- SCRIP CODE : BALAMINES**

Please take note that a Meeting of the Board of Director of the Company, has been convened to be held on Wednesday, the 20<sup>th</sup> May, 2015 at the Hyderabad Office of the company at 3<sup>rd</sup> floor, KPR house, S.P. Road, Secunderabad - 500 003 inter-alia, To consider and take on record the audited financial results of the company for the year and quarter ended 31<sup>st</sup> March, 2015. And to consider and declare dividend if any for the FY 2014-15.

This is for your information and records.

Thanking you,

**Yours faithfully,**  
**For BALAJI AMINES LIMITED**

*Arati S. Dudhaware*

**ARATI S. DUDHAWALE**  
**COMPANY SECRETARY**